

medartis

PRECISION IN FIXATION

INSTRUCTIONS

Assembly / Disassembly



APTUS MODUS

Contents

Dismantling Multi-Part Instruments

Page	Art. No.	Description	Applicable for
Gauges			
3	A-2031	2.0-2.8 Depth Gauge	A-2030, A-2032, A-2730, A-2837, M-2250, M2-2250, M2-2260
4	A-2836	2.8 Depth Gauge	A-2930, A-2931
5	M-2161	0.9/1.2 Depth Gauge	
Screwdriver			
6	M-2440	90° Screwdriver, Complete	
Handles			
10	A-2073	Cannulated Handle with Quick Connector, AO	A-8000.10, A-8000.20
Guides			
11	A-2038	2.2/3.0 Drill Stop for A-3738, A-3838	
12	A-2096	Aiming Device 2.8	
15	A-2701	Aiming Device, Minimally Invasive 2.5	
16	A-2791.10	Saw Guide 45°	A-2791.20
17	A-2791.30	Compression Element	
18	A-2794	Instrument for Restoration of the Volar Tilt 2.5	
18	A-2823.01	Drill Guide Block Clavicle Superior Lateral, L	A-2823.02, A-2923.01, A-2923.02
19	M-2820	Drill/Screw Guide CFS	
20	M-2191	0.9/1.2 Drill Stop Guide, Adjustable	
Plate Retracting and Repositioning Instruments			
21	M-2615	Cheek Retractor, Intraoral, Ø 4.5 mm	
22	M-2800	Repositioning Hook CFS, 210 mm	
Containers			
23	A-6000	Base Frame Modular Implant Container	A-04xx, A-05xx, A-07xx, A-08xx

Symbol



Instruments must be lubricated during reprocessing, refer to instructions for use.

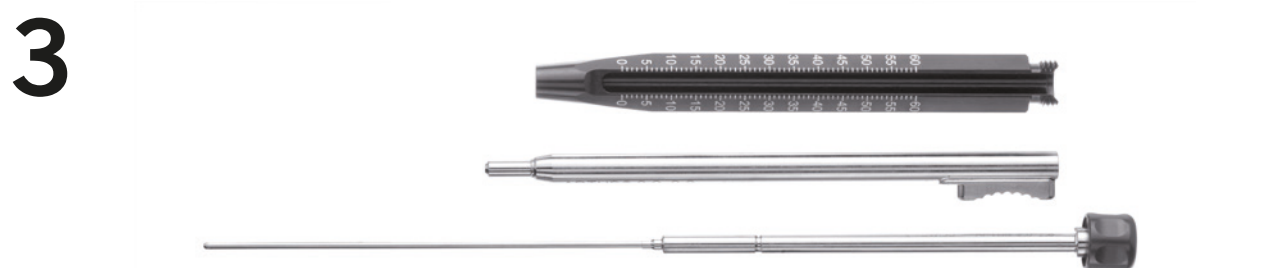
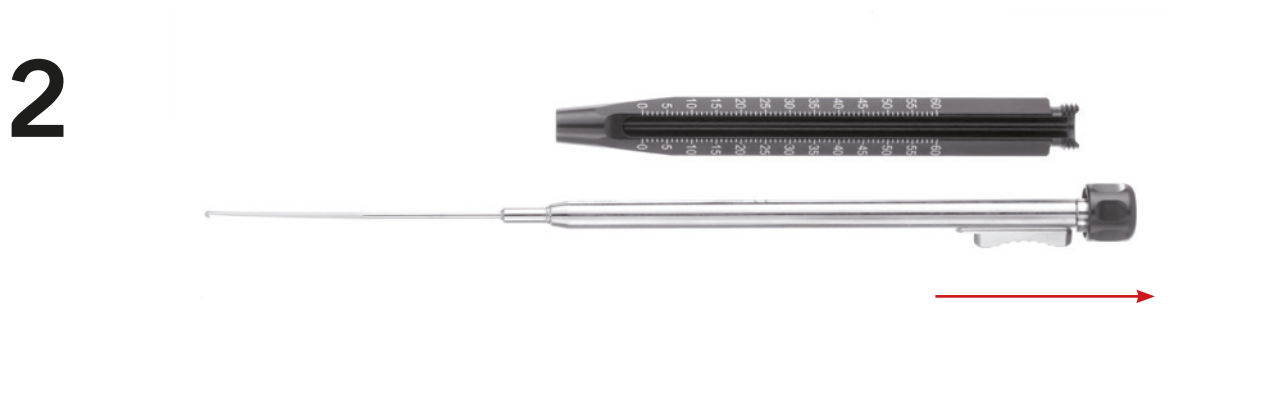
For further information regarding the Medartis product lines, please visit www.medartis.com

Dismantling Multi-Part Instruments

Gauges

A-2030 1.2–2.3 Depth Gauge
 A-2031* 2.0–2.8 Depth Gauge
 A-2032 2.0/2.3 Depth Gauge
 A-2730 2.5 Depth Gauge
 A-2837 2.8 Depth Gauge

M-2250 1.5–2.5 Depth Gauge
 M2-2250 1.2–2.3 Depth Gauge
 M2-2260 2.0–2.5 Depth Gauge



* Pictured article

Gauges

- A-2836* 2.8 Depth Gauge
- A-2930 3.5/4.0 Depth Gauge
- A-2931 3.5/4.0 Depth Gauge

1



2



3



* Pictured article

Gauges

M-2161 0.9/1.2 Depth Gauge

1



2



3



* Pictured article

Screwdriver

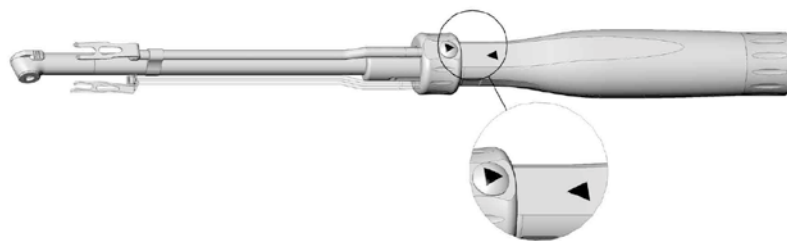
M-2440 90° Screwdriver, Complete

Disassembly

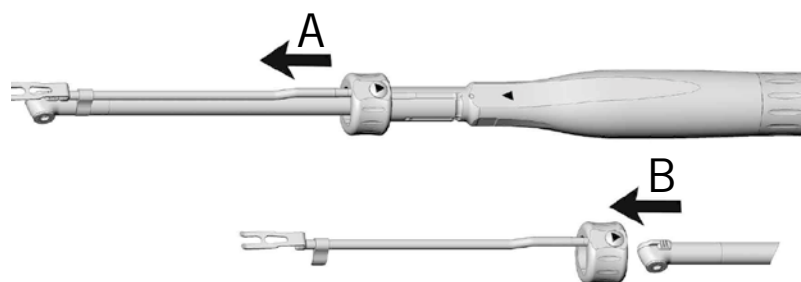
1



2



3

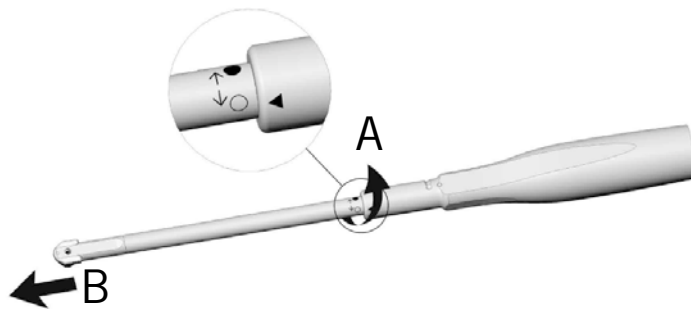


Disassembly

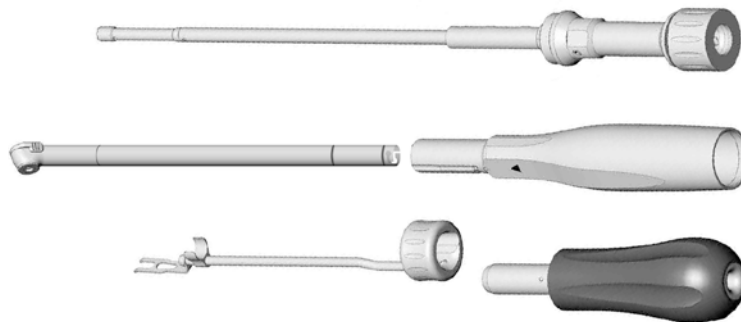
4



5

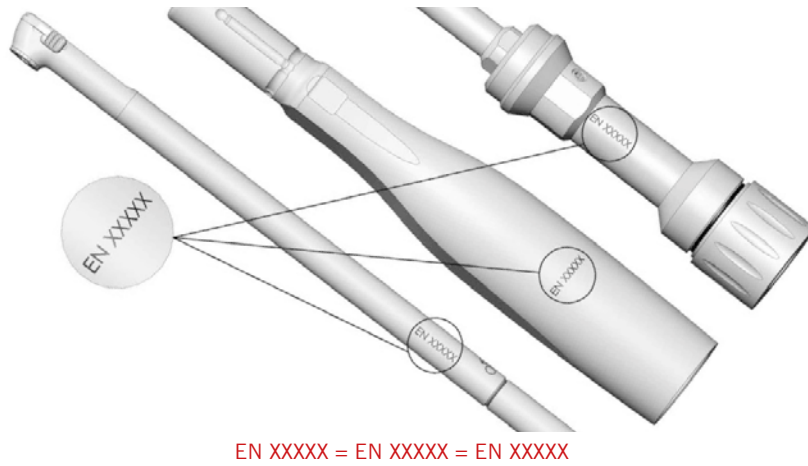


6

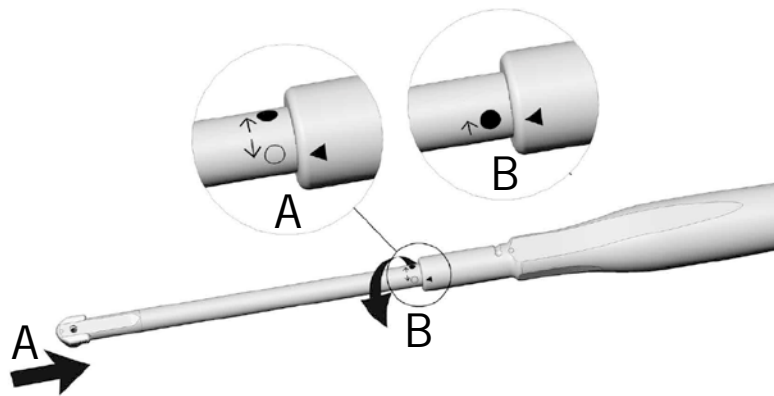


Assembly

1



2

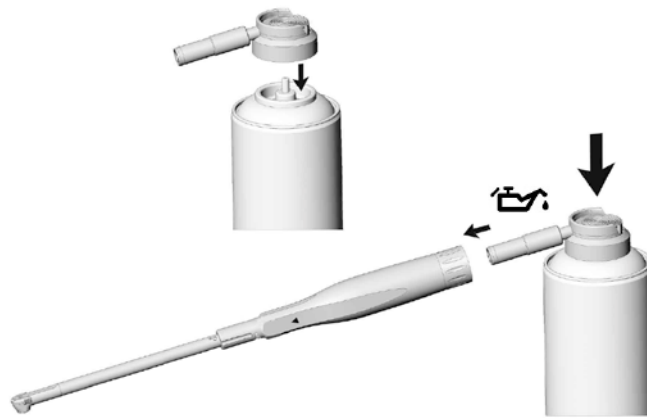


3

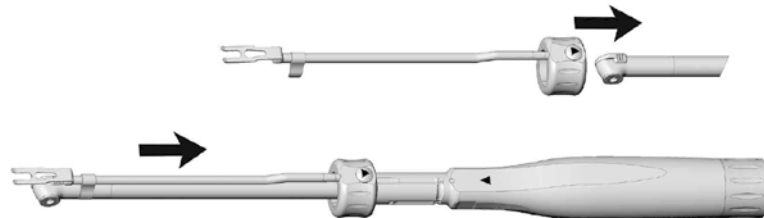


Assembly

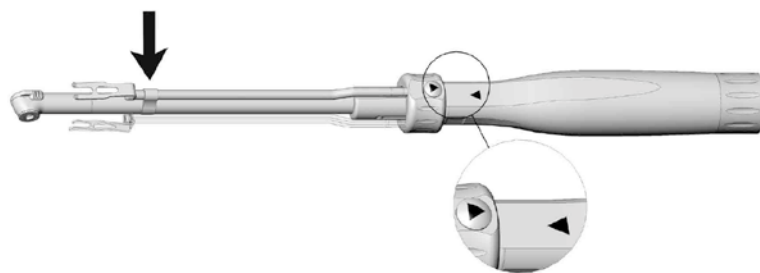
4



5



6



Handles

A-2073* Cannulated Handle with Quick Connector, AO
A-8000.10 Cannulated Handle with Quick Connector, AO
A-8000.20 Cannulated Handle with Quick Connector, AO

1



2



3

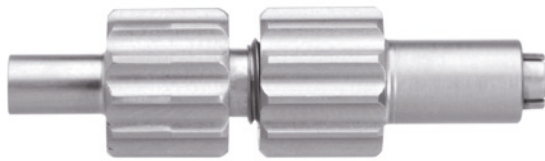


* Pictured article

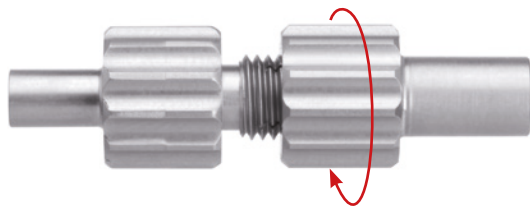
Guides

A-2038 2.2/3.0 Drill Stop for A-3738, A-3838

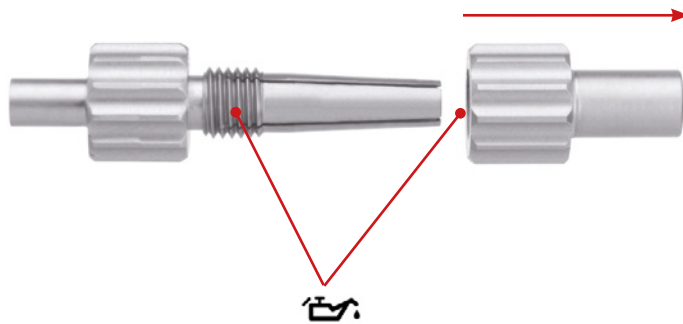
1



2



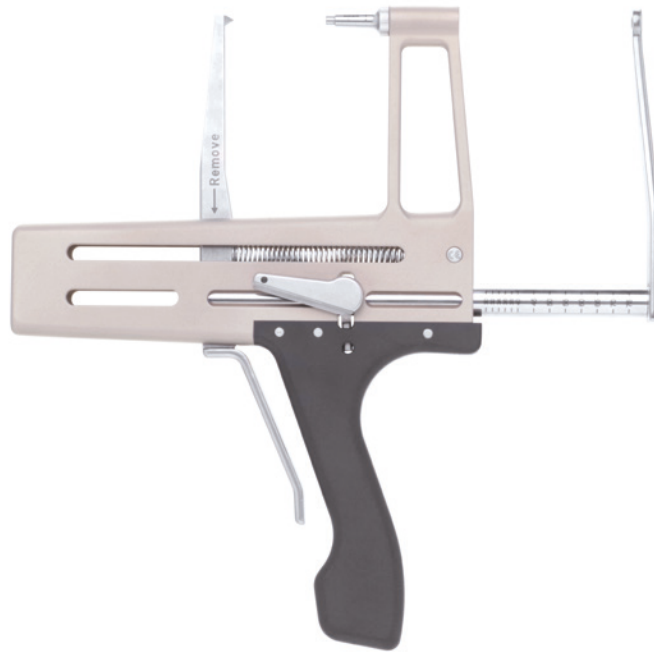
3



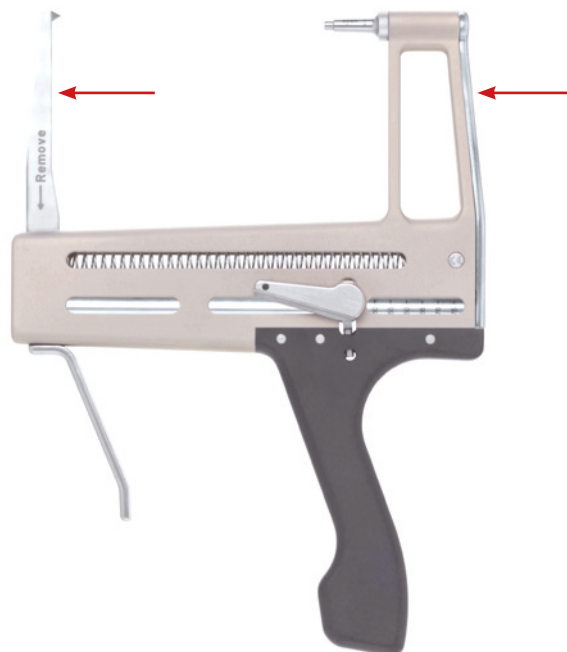
Guides

A-2096 Aiming Device 2.8

1



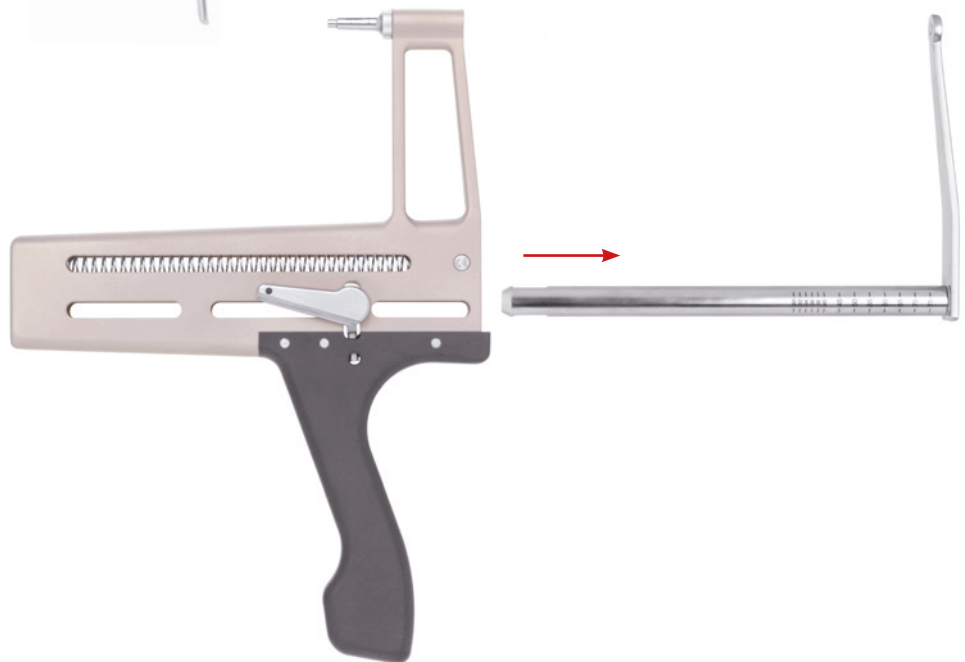
2



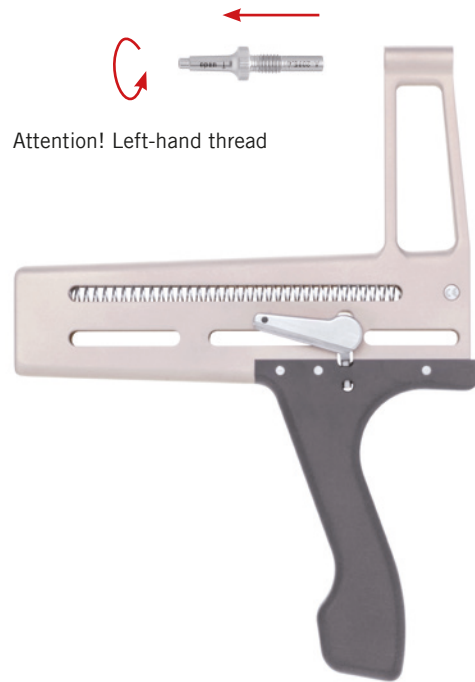
3



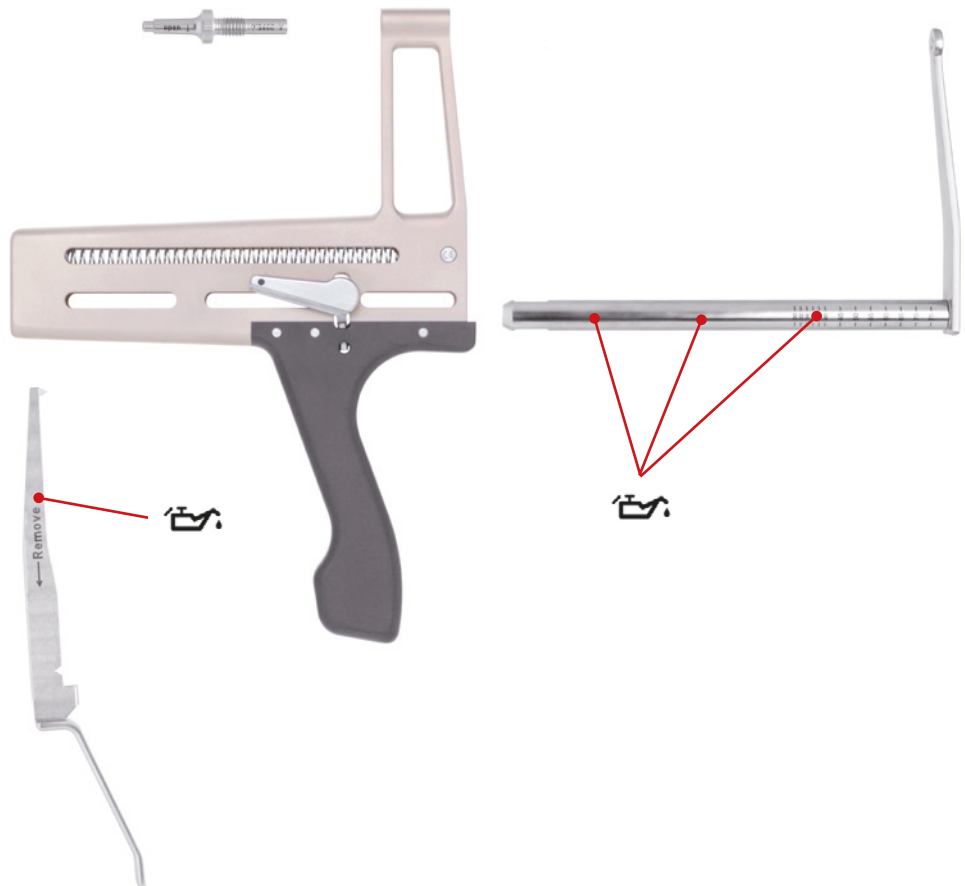
4



5



6



Guides

A-2701 Aiming Device, Minimally Invasive 2.5

1



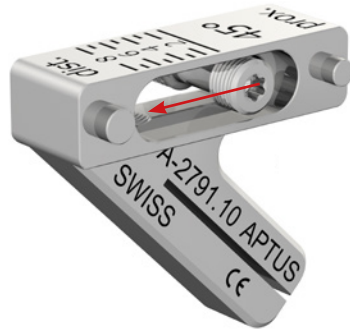
2



Guides

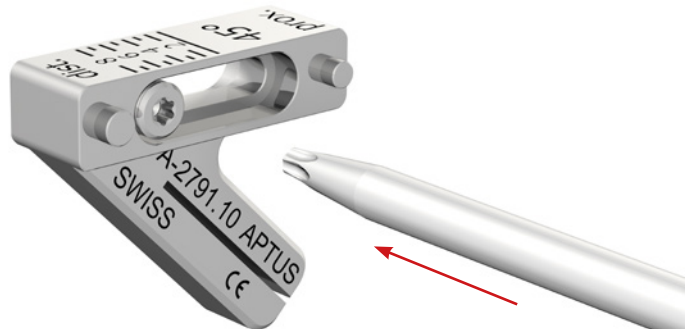
A-2791.10* Saw Guide 45°
A-2791.20 Saw Guide 90°

1

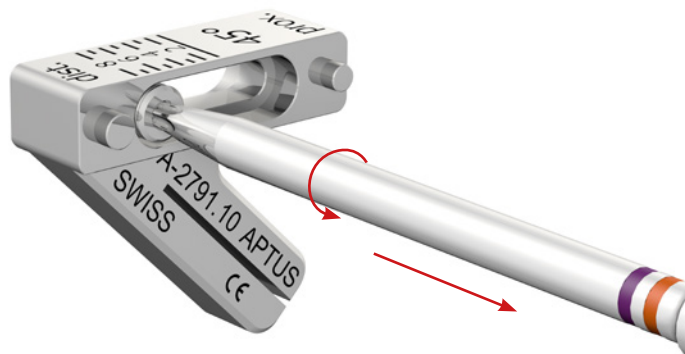


No disassembling is needed for cleaning, disinfection and sterilization of the articles A-2791.10 and A-2791.20. These processes can be done with the articles assembled.

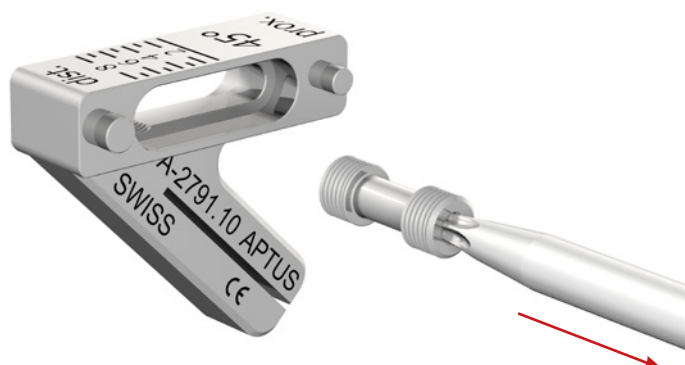
2



3



4



* Pictured article

Guides

A-2791.30 Compression Element

1



No disassembling is needed for cleaning, disinfection and sterilization of the article A-2791.30. These processes can be done with the article assembled.

2



3



4



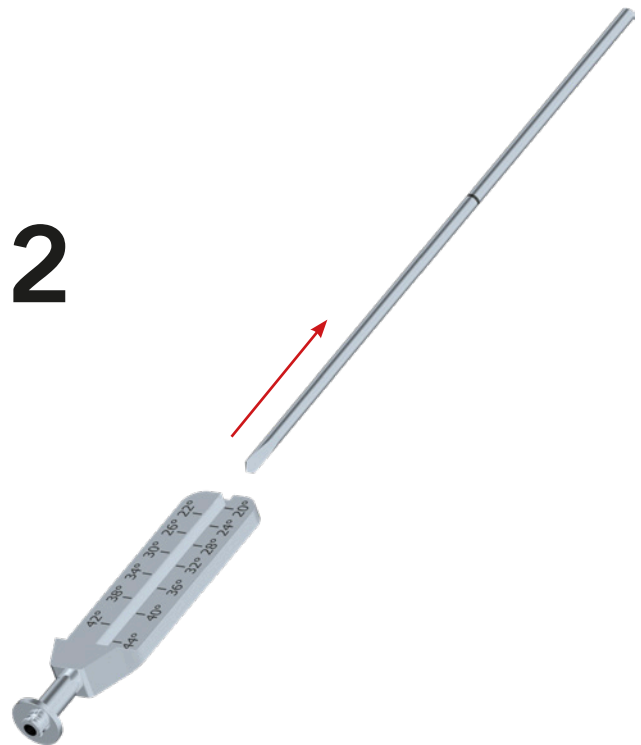
Guides

A-2794 Instrument for Restoration of the Volar Tilt 2.5

1



2



Guides

- A-2823.01 Drill Guide Block Clavicle Superior Lateral, L
- A-2823.02* Drill Guide Block Clavicle Superior Lateral, R
- A-2923.01 Drill Guide Block, Proximal Humerus, L
- A-2923.02 Drill Guide Block, Proximal Humerus, R

1



2



* Pictured article

Guides

M-2820 Drill/Screw Guide CFS

1



2



3



Guides

M-2191 0.9/1.2 Drill Stop Guide, Adjustable

1



2



Plate Retracting and Repositioning Instruments

M-2615 Cheek Retractor, Intraoral, Ø 4.5 mm

1



2



3



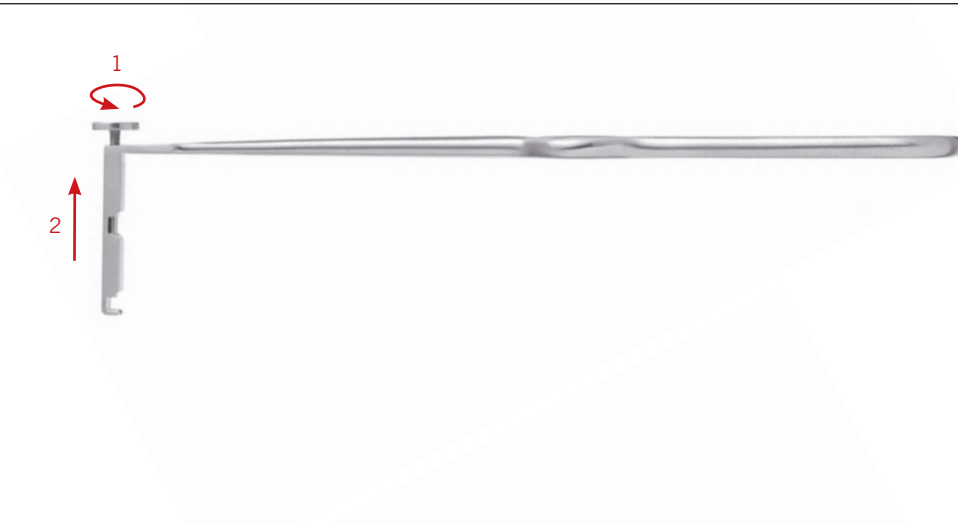
Plate Retracting and Repositioning Instruments

M-2800 Repositioning Hook CFS, 210 mm

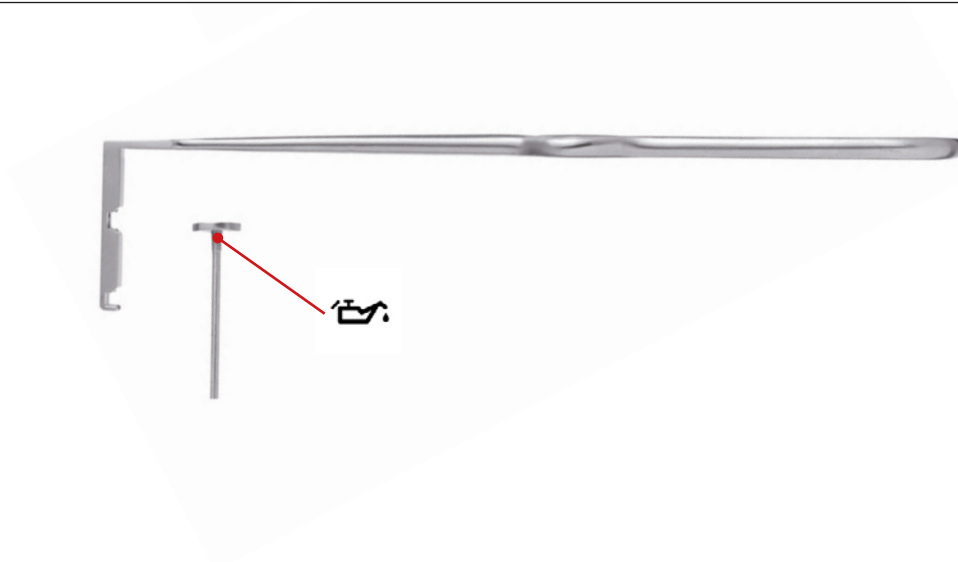
1



2



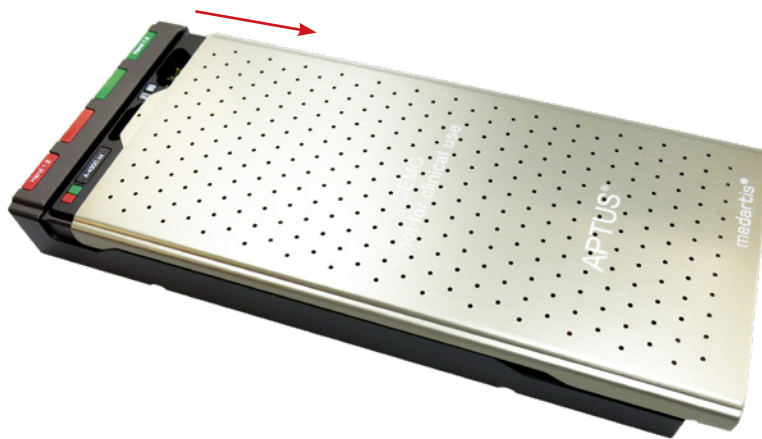
3



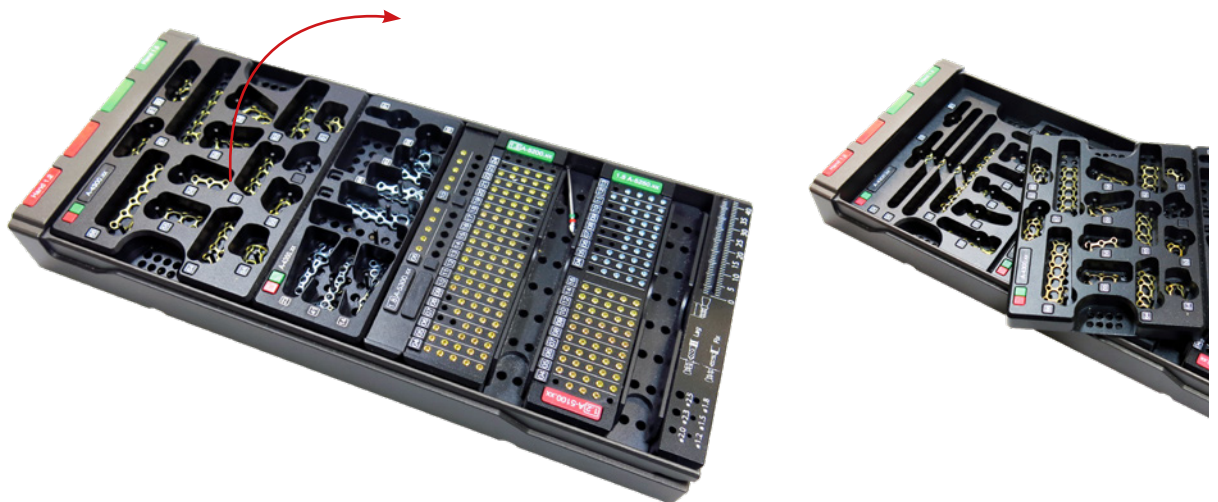
Containers

A-6000*	Base Frame Modular Implant Container
A-04xx	Implant Container Radial Head 2.0
A-05xx	Implant Container Foot 2.0, 2.3, 2.8
A-07xx	Implant Container Radius 2.5
A-08xx	Implant Container Hand 1.2, 1.5, 2.0, 2.3

1



2



* Pictured article

3



4



R_CORP-00000201_v0 / © 2021-03, Medartis AG, Switzerland. All technical data subject to alteration.

MANUFACTURER & HEADQUARTERS

Medartis AG | Hochbergerstrasse 60E | 4057 Basel/Switzerland
P +41 61 633 34 34 | F +41 61 633 34 00 | www.medartis.com

SUBSIDIARIES

Australia | Austria | Brazil | China | France | Germany | Japan | Mexico | New Zealand | Poland | Spain | UK | USA

For detailed information regarding our subsidiaries and distributors, please visit www.medartis.com



Disclaimer: This information is intended to demonstrate the Medartis portfolio of medical devices. A surgeon must always rely on her or his own professional clinical judgement when deciding whether to use a particular product when treating a particular patient. Medartis is not giving any medical advice. The devices may not be available in all countries due to registration and/or medical practices. For further questions, please contact your Medartis representative (www.medartis.com). This information contains CE-marked products.
For US only: Federal law restricts this device to sale by or on the order of a physician.